



**DOSATRON®**

*WATER POWERED DOSING TECHNOLOGY*

---

# SCHEMATICS

## Dosatron Liquid Dispenser **Model # D8R – 40 GPM**

1:500 – 1:50

2 – 110 PSI

### **Suggested Installation:**

200 mesh/80 micron water filter prior to unit

One-way check valve downstream from unit for water hammer protection

### **Suggested Maintenance Interval:**

Replace injection seals every 12 months

---

### **DOSATRON SALES & SERVICE - NORTH & CENTRAL AMERICA**

Dosatron International, Inc.

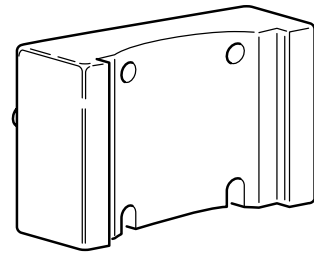
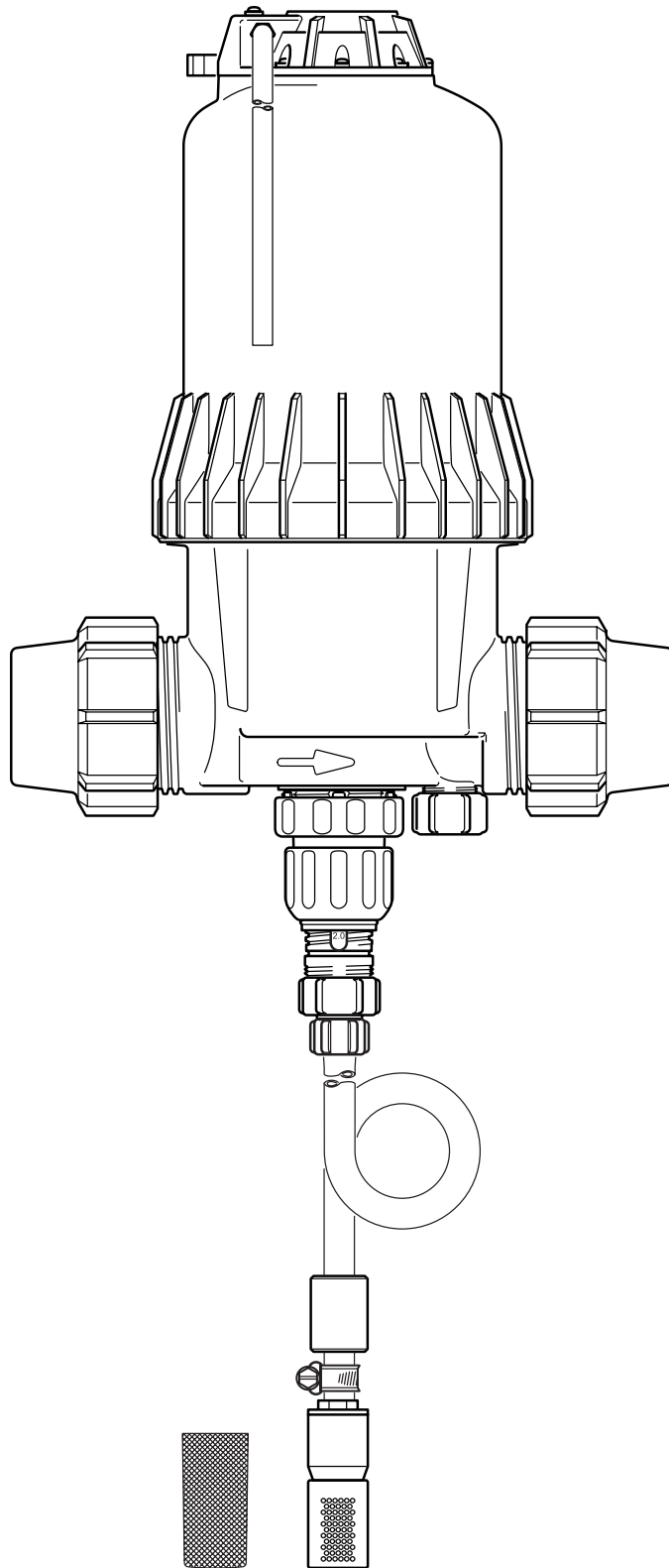
Phone: 727-443-5404 Service: (800) 523-8499

Fax: 727-447-0591

[www.dosatronUSA.com](http://www.dosatronUSA.com)

**D8R**  
11/03

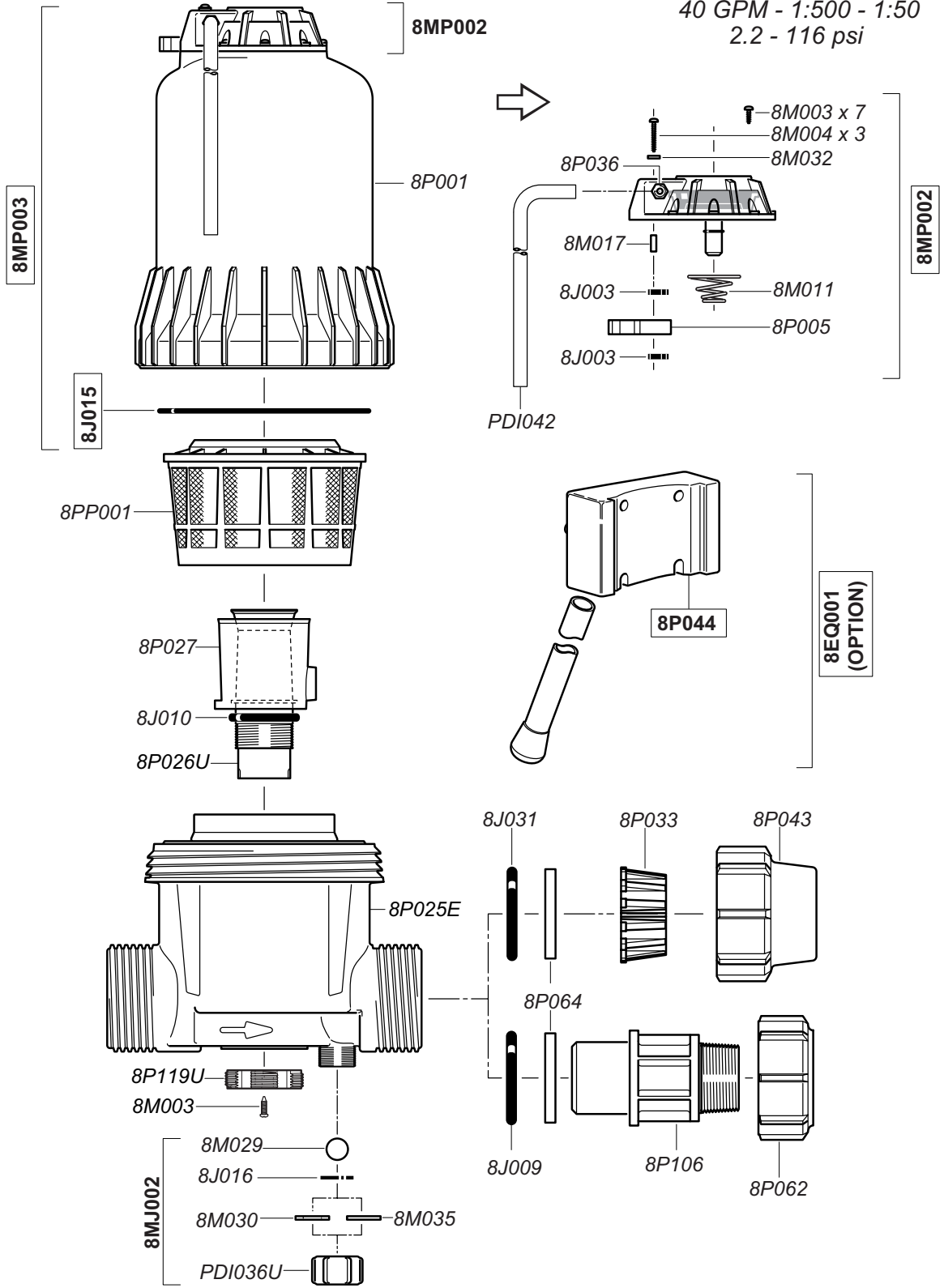
40 GPM - 1:500 - 1:50  
2.2 - 116 psi



8ED005 - Injection Seal Kit  
8EM001 - Motor Seal Kit

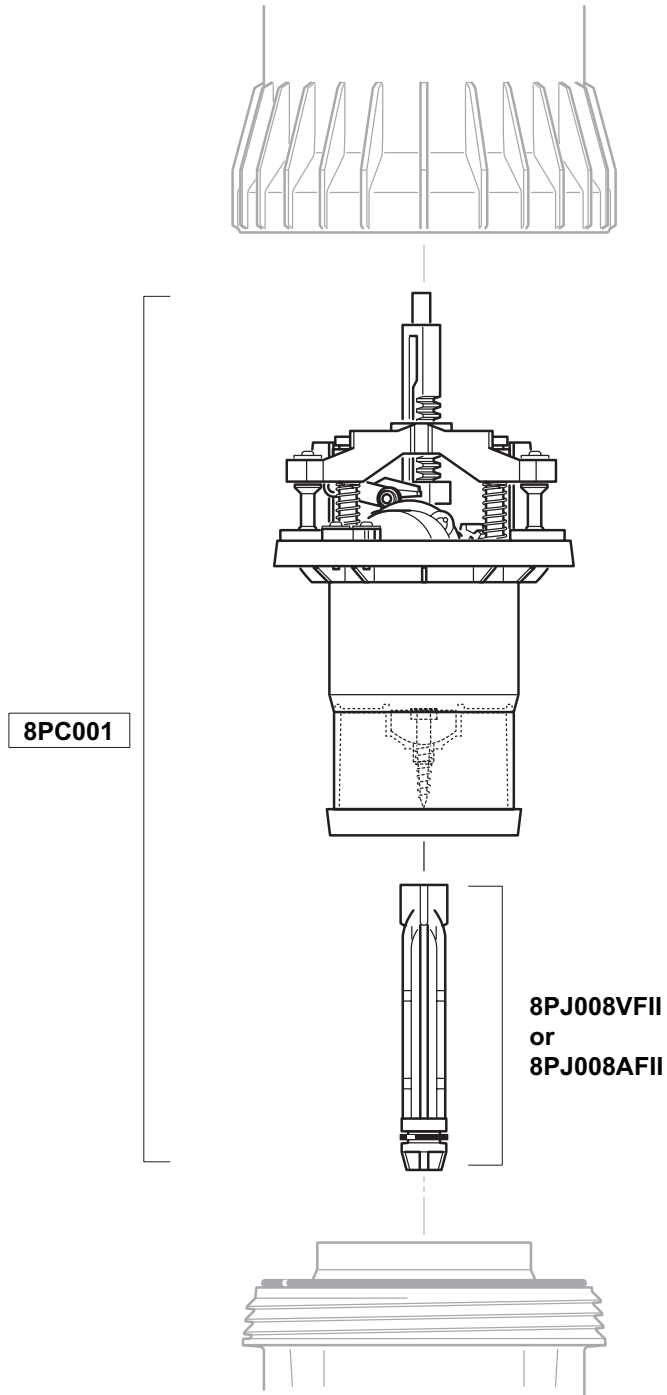
**D8R**  
11/03

40 GPM - 1:500 - 1:50  
2.2 - 116 psi



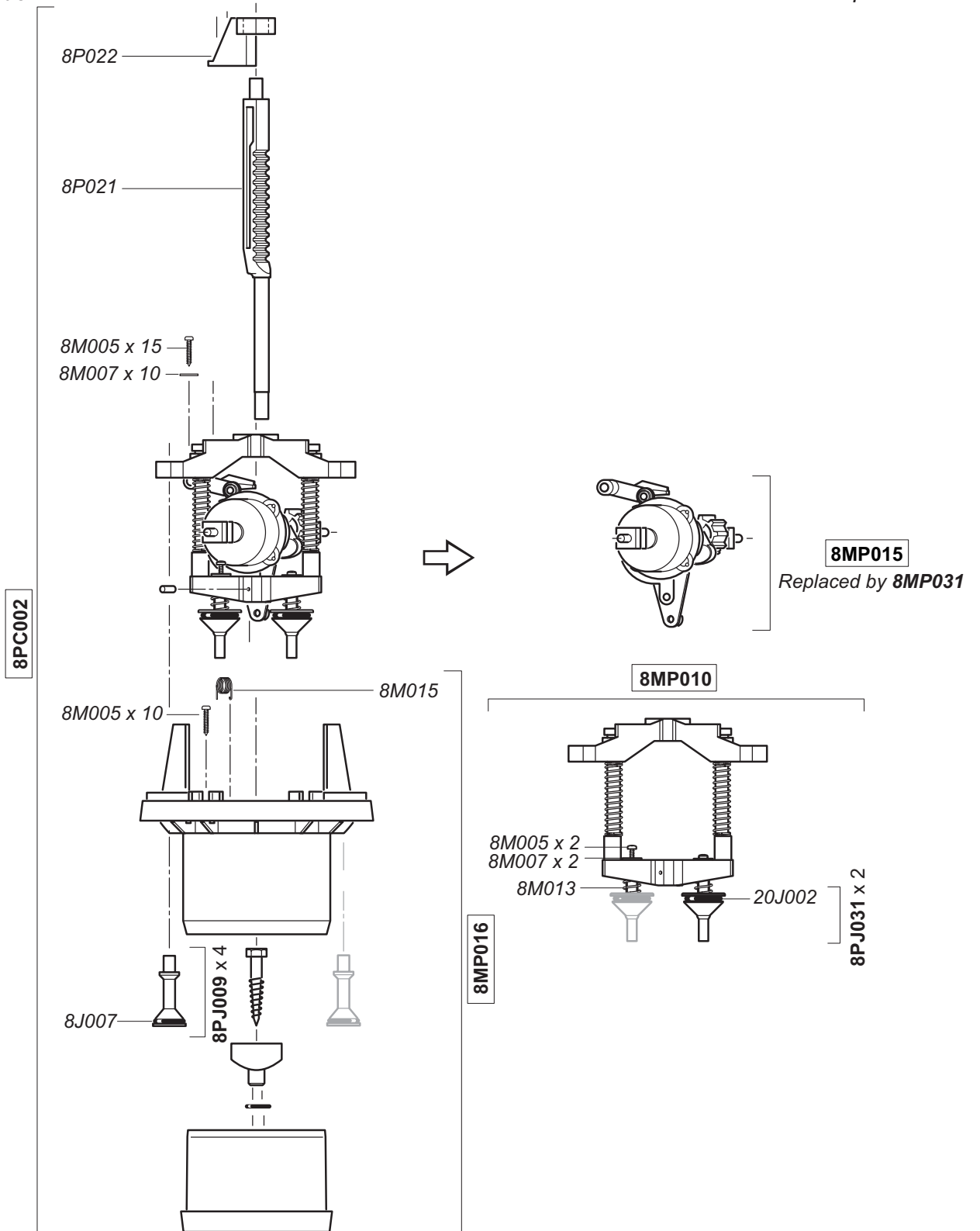
# D8R

40 GPM - 1:500 - 1:50  
2.2 - 116 psi



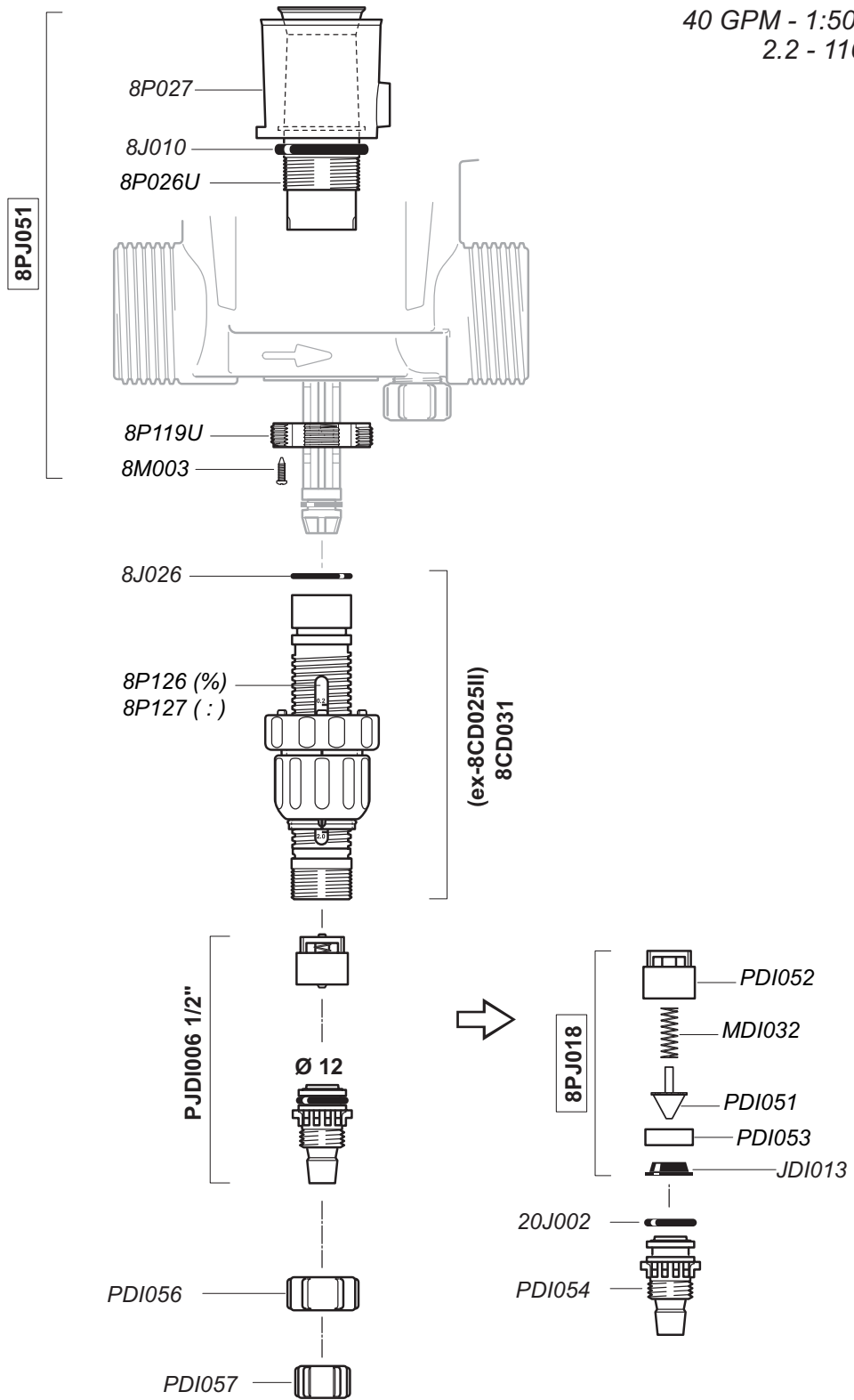
**D8R**  
11/03

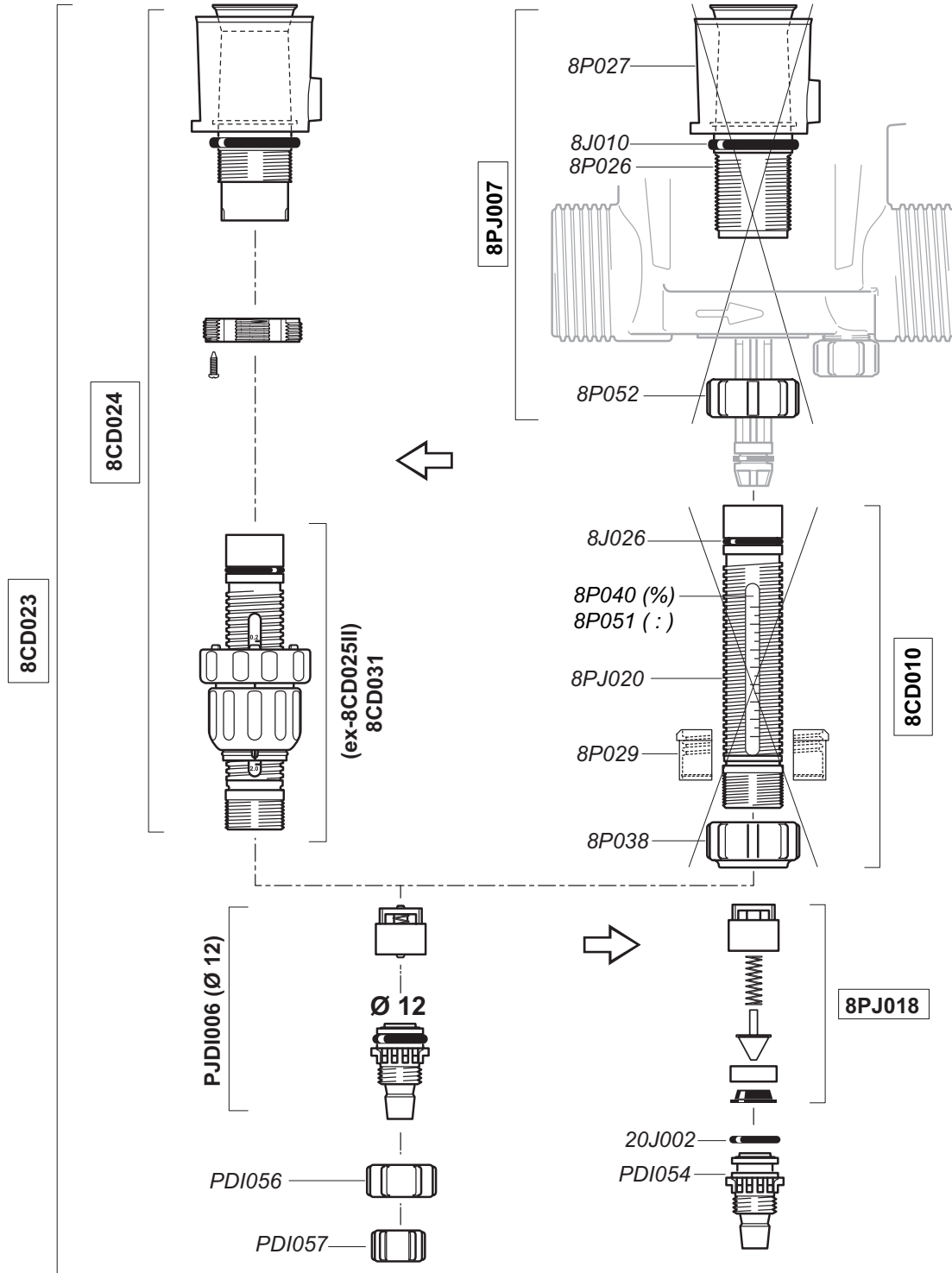
40 GPM - 1:500 - 1:50  
2.2 - 116 psi



D8R  
11/03

40 GPM - 1:500 - 1:50  
2.2 - 116 psi





**D8R**  
11/03

40 GPM - 1:500 - 1:50  
2.2 - 116 psi

